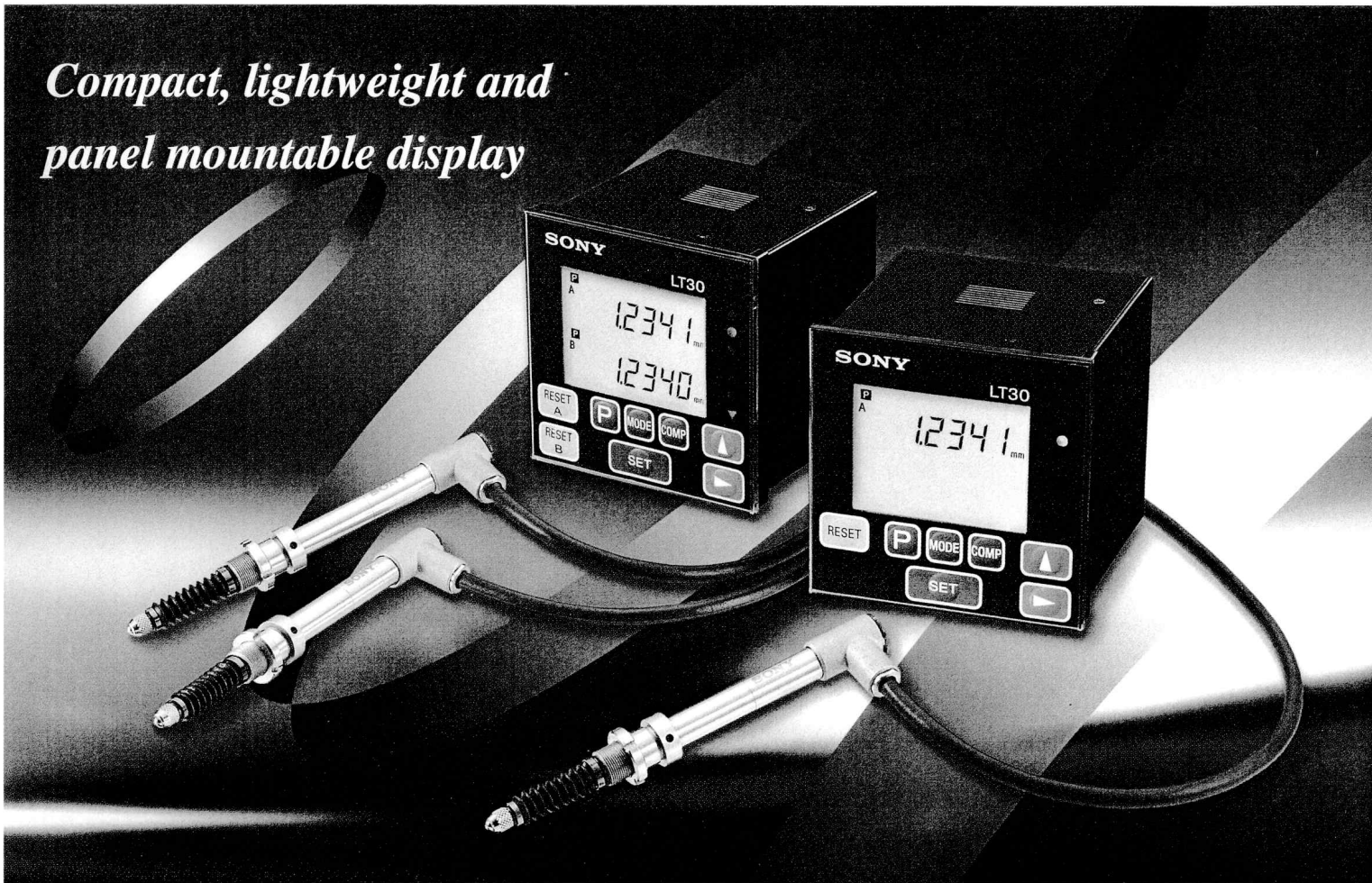


# SONY

Digital Gauge  
Display LT30 SERIES

*Compact, lightweight and  
panel mountable display*



## DIGITAL DISPLAY UNITS

Display for Compact High-Precision Digital Gauging System DK Series

- Minimum display resolution : 0.1 $\mu$  m
- Zero point detection
- BCD and RS-232C I/O models to choose from
- Compact and lightweight  
: DIN standardsize (W 72mm x H 72mm)
- Comparator
- Reset/Preset
- Alarm for exceeded max. response speed  
and disconnected measuring unit
- Setting value storage
- 2-axis ADD/SUB (2-axis model only)

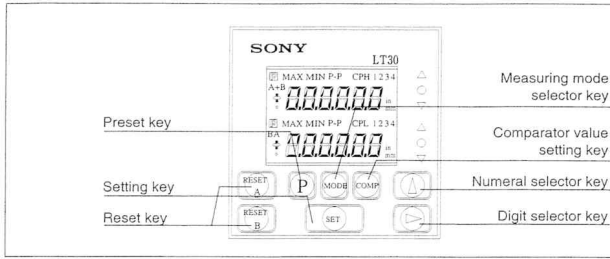


Sony Manufacturing Systems Corporation



Isehara Center is registered to ISO 9001 (Quality)

## Part Names



## Input/output Pins

- I/O connector
  - Inputs : Reset, Peak hold start, Peak hold pause
  - Outputs : GO/NO GO
- Power input connector : 12 to 24V DC power
- BCD (36-pin half-pitch connector)
  - Inputs : Comparator value selection (4 settings), Mode selection (Current value, Maximum measured value, Minimum measured value, P-P value)
  - Outputs (Open collector) : Measured data (6 digits), Alarm output
- RS-232C (8-pin mini-DIN connector)
  - Reset, Preset value setting/recall, Peak hold start, Peak hold pause, Comparator value setting, Mode selection and output (Current value, Maximum measured value, Minimum measured value, P-P value)
- RS-TRG Trigger inputs for RS-232C data outputs

## Separate accessories (Connectable to LT30-1GC/2GC)

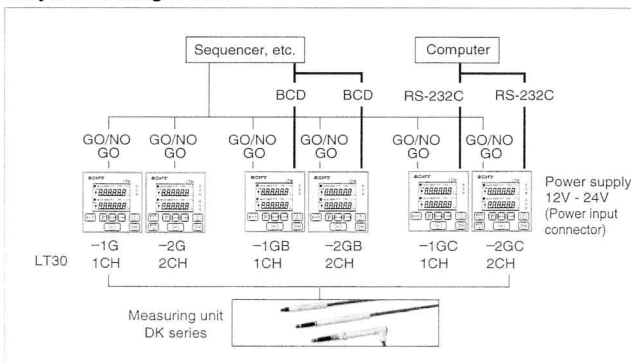
- RS-232C cable
  - DZ252 : D-sub 9-pin
  - DZ253A : D-sub 25-pin

## Specifications

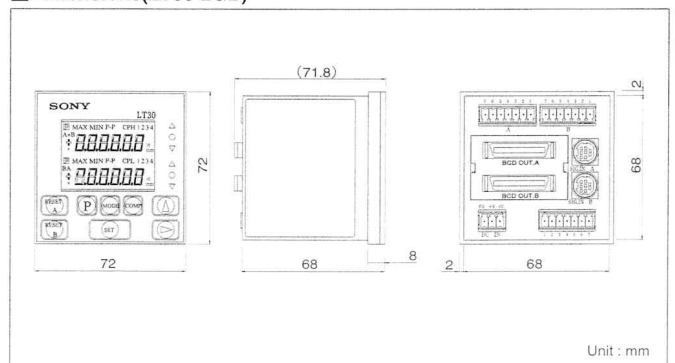
Model	LT30-1G	LT30-1GB	LT30-1GC	LT30-2G	LT30-2GB	LT30-2GC
Display	6-digit backlit LCD display, mode indication					
Measuring unit inputs	1CH			2CH		
I/O connector	○	○	○	○	○	○
BCD	-	○	-	-	○	-
RS-232C	-	-	○	-	-	○
RS-TRG *1	-	-	○	-	-	○
Zero point detection	By setting "use zero point" by parameter and detecting the zero point, the zero point is set at zero or at a preset value.					
	-	-	Zero point reference via RE-232C command	-	-	Zero point reference via RE-232C command
Reset	Reset key or external input (through I/O connector) *Zero point is referenced by setting "use zero point" by parameter.					
	-	-	RS-232C command	-	-	RS-232C command
Preset	Preset value is set with preset key and a value is recalled with reset key or input from a terminal *Zero point is used as the preset value by setting "use zero point" by parameter					
	-	-	Setting / recall via RS-232C command	-	-	Setting / recall via RS-232C command
Comparator	3-range comparator, comparator value setting with key switch GO / NO GO evaluation is displayed by LED and output through I/O connector (photo coupler)					
Peak hold	Measuring of max./ min./ p-p value started by reset key or by start input through I/O connector					
	-	-	Starting via RS-232C command	-	-	Starting via RS-232C command
Pause	With pause input at I/O even if the count value exceeds max./ min./ p-p value, those values do not change when there is pause input					
	-	-	Hold/ cancel via RS-232C command	-	-	Hold / cancel via RS-232C command
Mode setting	Measuring mode setting with mode key					
	-	Setting via BCD terminal	Setting via RS-232C command	-	Setting via BCD terminal	Setting via RS-232C command
Input resolution	Selected from 0.1 / 0.5 / 1 / 5 / 10μm (Set at the resolution of the measuring unit)					
Display resolution	Selected from 0.1 / 0.5 / 1 / 5 / 10μm (Resolution cannot be set higher than that of the measuring unit)					
Direction	Selectable					
Maximum frequency response speed	42m / min. (at 0.1μm resolution), 100m / min. (at 0.5μm resolution)					
ADD/SUB	Selection of A+B, A-B, B-A made by setting of direction					
Alarm	Response speed exceeded or measuring unit disconnected, level alarm Display on LCD, all the comparator outputs on terminals OFF					
	-	BCD alarm terminal "H" OFF	RS-232C "E" output	-	BCD alarm terminal "H" OFF	RS-232C "E" output
Data storage	Resolution, directions, comparator values, preset values, modes					
	-	BCD polarity (positive/negative), etc	Communication speed, etc	-	BCD polarity (positive/negative), etc.	Communication speed, etc
Key lock	Key lock / cancellation by a long push of digit selector key					
Operating temperature	0°C - 40°C					
Storage temperature	-10°C - 50°C					
Power supply	Triple connector: 10.8 V DC -26.4 V DC					
Power consumption	5W	5.5W	5W	8.5W	9W	8.5W
Mass	App. 200g	App. 230g	App. 220g	App. 210g	App. 270g	App. 230g
Applicable measuring unit	DK series					

\*1 Trigger inputs for RS-232C data outputs

## System Configuration



## Dimensions (LT30-2GB)



**⚠ Safety Notice:** For your safety, please read the instruction manual carefully before using the product. ● Specifications and appearance are subject to change without prior notice.

## Sony Manufacturing Systems Corporation

Sony Manufacturing Systems Corporation  
Measuring Systems Sales Dept.  
Suzukawa 45 Isehara-shi, Kanagawa-ken, 259-1146, Japan  
Tel: +81-463-92-7971 Fax: +81-463-92-7979  
<http://www.sonysms.co.jp>

Sony Taiwan Limited  
FA Marketing Group  
6F, 145 Changchun Road, Taipei 104, Taiwan  
Tel: +886-2-2522-9760 Fax: +886-2-2522-2396  
<http://www.sony.com.tw/company/family/FA/FA.asp>

<http://www.sonysms.co.jp/>

This catalog follows the state at 8, 2005.

Sony Manufacturing Systems America, Inc.  
20381 Hermans Circle Lake Forest, California 92630-8701  
Tel: +1-949-770-8400 Fax: +1-949-770-8408  
<http://www.sonysms.com>

Sony Manufacturing Systems Europe  
Semiconductor & Electronic Solutions  
Measuring Systems  
Hedelfinger Strasse 61, D-70327 Stuttgart, Germany  
Tel: +49-711-5858-777 Fax: +49-711-580-715  
<http://www.sonymanufacturing.com>



Used material: 100% recycled paper, recyclable  
Zero-VOC (Volatile Organic Compound) vegetable oil ink  
©SONY catalog #497

018E-0508-00-01A