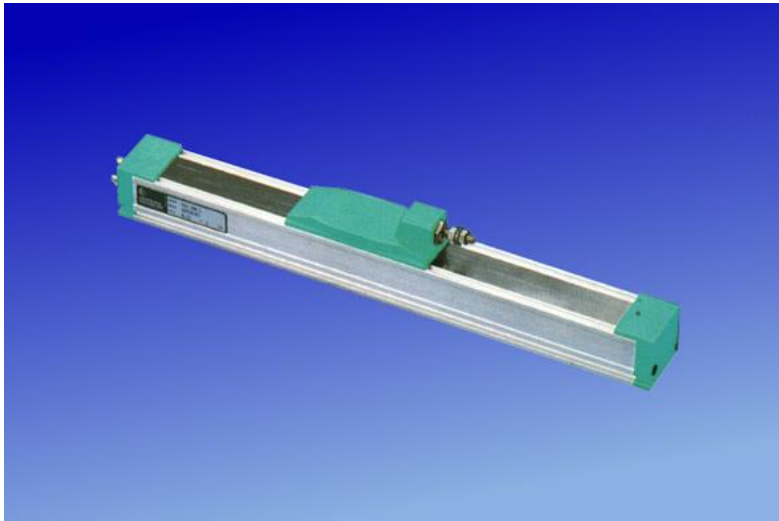


LINEARPOTI

Linearpotentiometer, sledge type



Series LSW

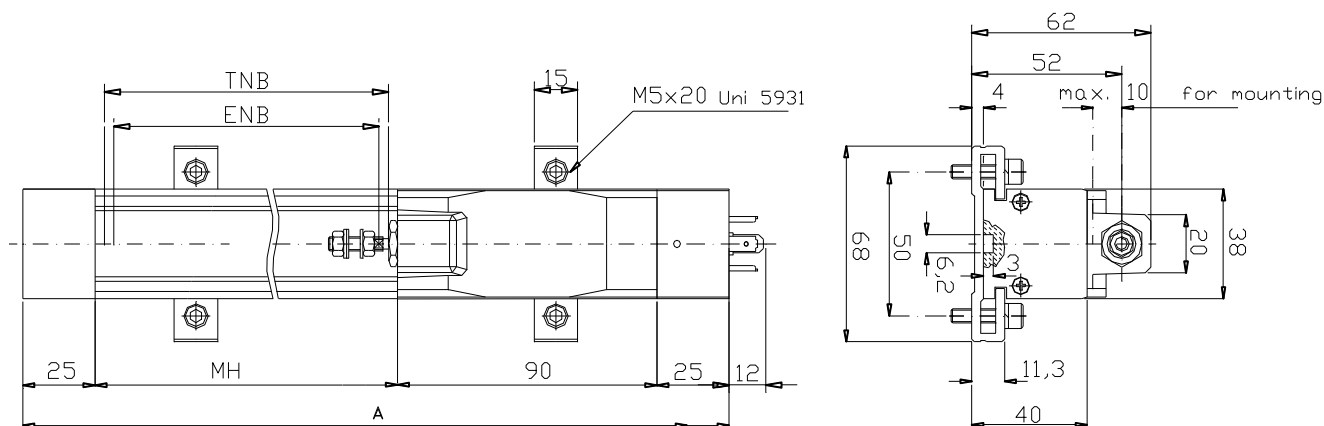
- **Rectangular case, sledge thread M5**
- **Range 100 - 2000 mm**
- **Protection IP 40**
- **Displacement speed < 10 m/s**
- **Linearity $\pm 0,05\%$**
- **Infinite resolution**
- **Working temperature -30...+100°C**
- **Lifetime >25x10⁶ meter
or >100x10⁶ cycles**
- **Electrical Connection**
4-pin connector according DIN 43650-ISO4400
5-pin circular connector

Technical Data

Range	100/130/150/200/275/300/400/450/500/600/750/900/1000/1250/1500/1750/2000 mm		
Protection	IP40	Max. supply voltage	60 V
Displacement speed	<10 m/s standard	Temp. coeff. of the resistance	-200 ±200 ppm/°C
Displacement force	<1,2	Eff. temp. coeff. of output voltage	<1,5 ppm/°C
Linearity	±0,1% from 100 to 400 ±0,05% from 450 to 2000	Electrical isolation	>100 MOhm at 500 V
Resolution	infinite	Dielectric strength	>500 Veff at 50 Hz
Tolerance on resistance	±20%	Working temperature	-30...+100°C
Recommended cursor current	<1 µA	Storage temperature	-50...+120°C
Max. cursor current	<10 mA	Cursor block material	Nylon 66 GF 40
Max. dissipation at 40°C	3 W	Case material	Anodised aluminium Nylon 66 GF 40
		Fixing	Brackets

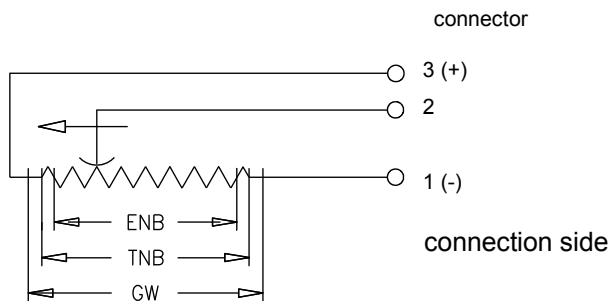
Dimensions and Electrical Data

range		100	130	150	200	225	300	400	450	500	600	750	900	1000	1250	1500	1750	2000	
electrical stroke (C.E.U.) +3/-0	mm	100	130	150	200	225	300	400	450	500	600	750	900	1000	1250	1500	1750	2000	
theoretical electr. stroke (C.E.T.) ±1	mm	103	133	153	204	229	305	406	458	509	611	763	915	1017	1271	1521	1771	2021	
resistance (C.E.T.)	kOhm	5						10						20					
Mechanical stroke (C.M.)	mm	113	143	163	214	239	315	416	468	519	621	773	925	1027	1281	1531	1781	2031	
Case length (A)	mm	253	283	303	354	379	455	556	608	659	761	913	1065	1167	1421	1671	1921	2171	

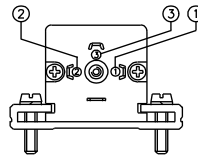


Connection and Accessories

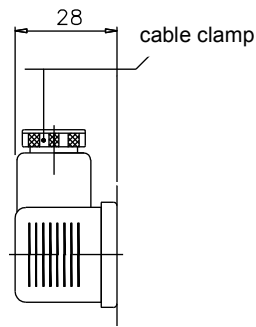
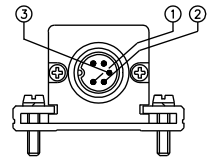
Electrical connection



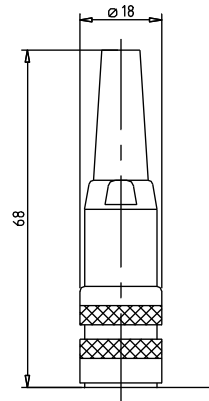
Output LSW-M



Output LSW-B

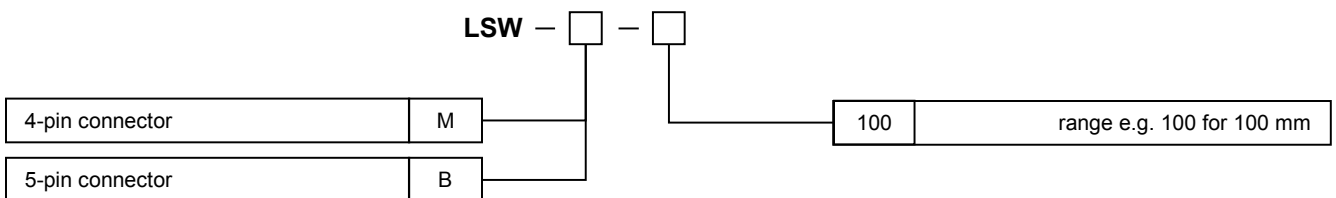


CON006
connector IP65



CON011
connector IP40

Order Code



These data can be changed without any advance notice

WayCon Positionsmesstechnik GmbH

e-mail: info@waycon.de
internet: www.waycon.de



Head Office

Mehlbeerenstraße 4
82024 Taufkirchen
Tel. +49 (0)89 67 97 13-0
Fax +49 (0)89 67 97 13-250

Office Brühl

Auf der Pehle 1
50321 Brühl
Tel. +49 (0)2232 567944
Fax +49 (0)2232 567945