

DRAW WIRE SENSOR



Series FX-HM

Key-Features:

- *Wear-free Hall-effect sensor element*
- *Ultra compact body, Ø 3.81 cm*
- *ideal for applications with very high cycle numbers*
- *Measurement ranges from 50 up to 375 mm*
- *Linearity ± 1.0 % of full range*
- *Output signal 0...10 V*
- *Very low weight of 35 g*
- *Wire rope: stainless steel, jacketed stainless steel*
- *Thermoplastic body*

Content:

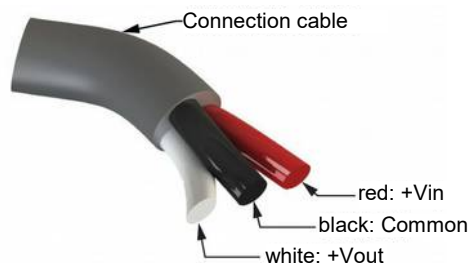
Technical Data2
Electrical Connection2
Technical Drawing3
Order Code4

TECHNICAL DATA

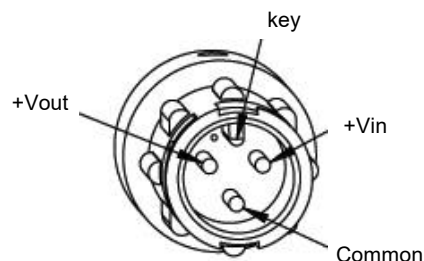
Measurement Ranges	50, 75, 100, 125, 150, 200, 250, 300, 375 mm
Sensor element	Hall-Effect sensor
Protection class	IP52
Voltage supply	4,9...30 VDC
Excitation current	max. 30 mA
Resolution	0.024% of full scale
Linearity	±1 % of full scale
Repeatability	±0.03% of full scale
Working temperature	-25...+75 °C
Humidity	95% no condensation
Output signal	0...10 VDC +0.0 – 0.4 VDC
Wire Rope	Nylon jacketed stainless steel, Ø 0.46 mm, stainless steel 0.4 mm
Wire rope tension	Nominal 1.5 N
Housing material	Thermoplastic body
Weight	35 g
Electrical connection	cable output open ends / cable output with connector at cable end / cable output with connector at cable end plus mating connector
Output impedance	max. 10 Ω
Output load	min. 10 kΩ
Protection	reversed polarity
Life expectancy	approx 6.000.000 cycles
Shock	50 g, 0.1 ms max.
Vibration	15 g, 0.1 ms max.

ELECTRICAL CONNECTION

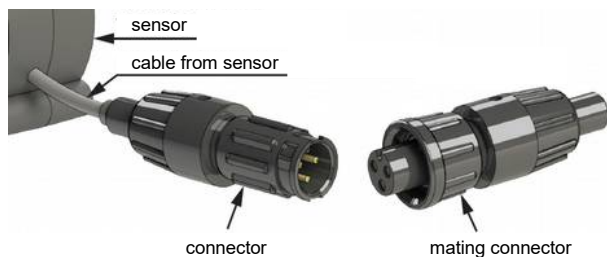
Cable output



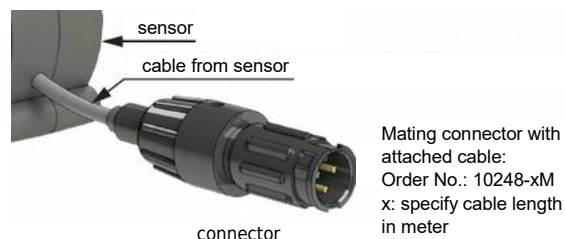
Connector output



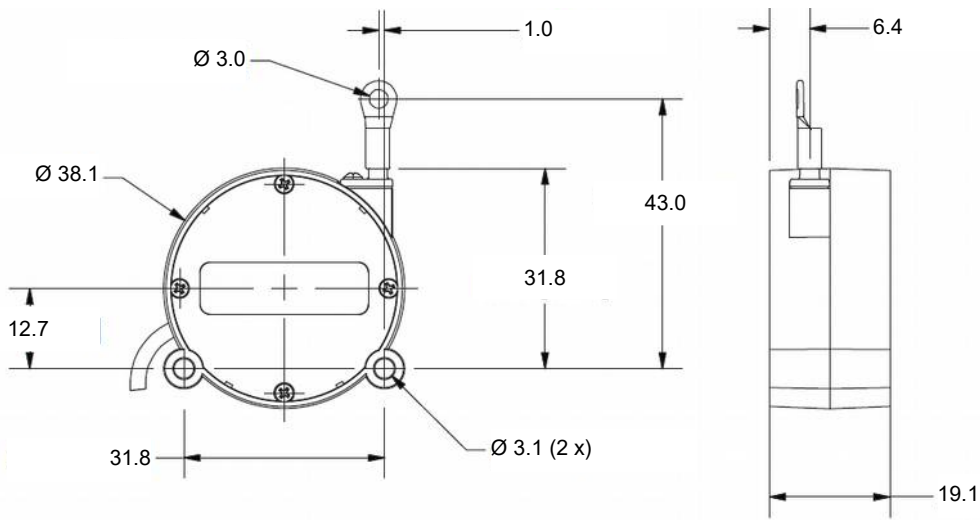
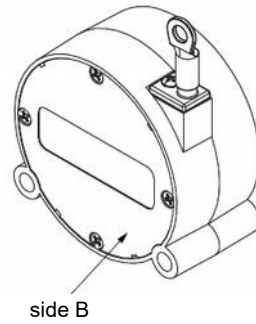
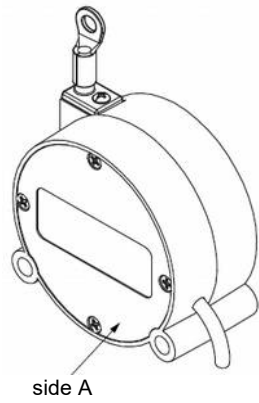
Connector output option C



Connector output option K

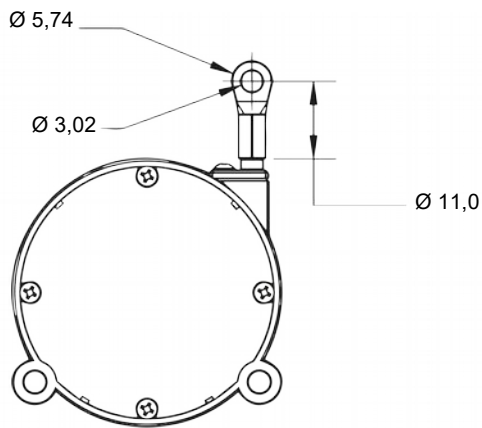


TECHNICAL DRAWING

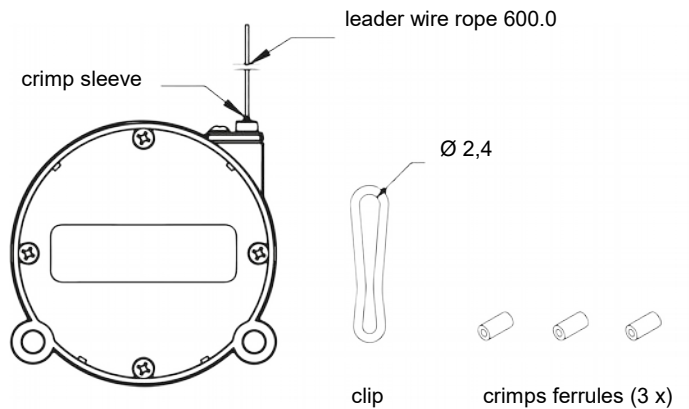


dimensions in mm

Wire rope attachment



with eye fitting



leader wire with fittings

ORDER CODE

FX - HM - - S - 1

Measurement range	
50 mm	2
75 mm	3
100 mm	4
125 mm	5
150 mm	6
200 mm	8
250 mm	10
300 mm	12
375 mm	15

Material wire rope	
Standard: Nylon jacketed stainless steel (∅ 0.45 mm)	N
Stainless steel (∅ 0.4 mm)	S

Wire rope attachment	
Eye fitting	1
Leader wire rope with fitting	2

	Output
N	Cable with open ends
C	Connector at the cable end, plus mating connector
K	Connector at the cable end, no mating connector

	Cable length
P	0.15 m
Q	0.50 m
1	1.00 m
2	2.00 m

Standard version: FX-HM-...-N1S-1PN

ACCESSORIES

Connection cables for option K

10248-1M	1 meter with attached connector
10248-2M	2 meter with attached connector
10248-3M	3 meter with attached connector
10248-4M	4 meter with attached connector
10248-5M	5 meter with attached connector

WARNING NOTICES

- Don't let the rope snap back. If the rope is retracted freely, this may lead to injuries (whiplash effect) and the device may be damaged. Caution when unhooking and retracting the rope into the sensor.
- The transducer must be installed away from sources of magnetic fields, as they may influence the measurement results.
- Do not try to open the device. The stored energy of the spring drive may lead to injuries when being mishandled.
- Do not touch the rope when operating the sensor.
- Avoid guiding the rope over edges or corners. Use a deflection pulley instead.
- Do not operate the sensor if the rope is buckled or damaged. A ripping of the rope may lead to injuries or a damaging of the sensor.



Subject to change without prior notice.

WayCon Positionsmesstechnik GmbH

email: info@waycon.de
internet: www.waycon.biz

Head Office

Mehlbeerenstr. 4
82024 Taufkirchen
Tel. +49 (0)89 67 97 13-0
Fax +49 (0)89 67 97 13-250

Office Köln

Auf der Pehle 1
50321 Brühl
Tel. +49 (0)2232 56 79 44
Fax +49 (0)2232 56 79 45