

INDUCTIVE SENSORS



Content:

Technical Data2
Technical Drawing2
Accessory Mounting Set2
Further Accessories3

Series ISZH

Key-Features:

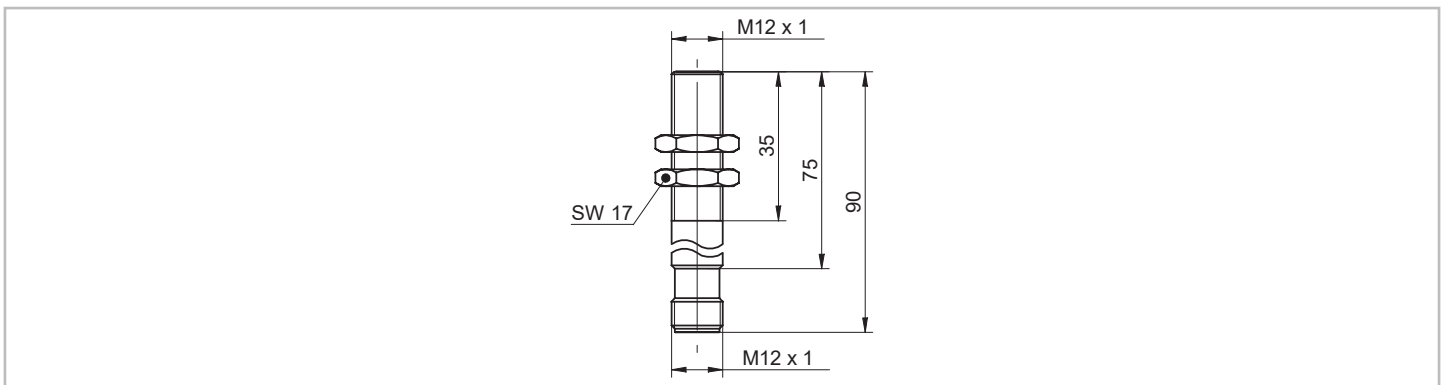
- Measurement range 0 to 2 mm
- Linearity up to $\pm 60 \mu\text{m}$
- Resolution up to $0.012 \mu\text{m}$
- Analog output: 0...20 mA
- Protection class IP67
- Temperature range 0...+60 °C
- Cylindrical housing with outer thread M12
- Measurement on metallic objects
- Non-linearised output curve

TECHNICAL DATA

Measurement range MR ¹⁾	[mm]	0...2
Linearity ¹⁾	[µm]	±60
Resolution static ¹⁾	[µm]	<0.012 (10 Hz)
Resolution dynamic ¹⁾	[µm]	<0.065 (520 Hz)
Resolution measurement centre ¹⁾	[µm]	<0.006
Repeatability ¹⁾	[µm]	<1
Measurement speed ¹⁾	[mm/ms]	0.1
Refresh rate ¹⁾	[ms]	0.5
Output signal		0...20 mA
Power supply Vs	[VDC]	15...30
Current consumption max. (without load)	[mA]	50
Load resistance	[Ω]	<100...<400
Voltage drop Vd	[VDC]	<7
Short circuit protection		yes
Reverse polarity prot.		yes
Protection class		IP67
Operating temperature	[°C]	0...+60
Temperature drift max.	[µm]	±10
Housing material		steel 9 SMn (Pb) 28/36, sensing face: ceramic
Connection		connector output M12, 4 pins
Optimal mounting		quasi-flush

¹⁾ with regard to a norm measurement plate (≥ 6 x 6 x 1 mm), mild steel (ST37)

TECHNICAL DRAWING

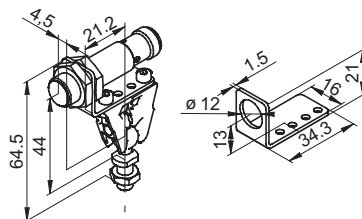


ACCESSORY MOUNTING SET

Mounting set ISMZ-M12

The mounting set consists of:

- Clamps (stainless steel)
- Ball pivot (galvanised steel)
- Mounting panel (stainless steel)



MODEL

ISZH-2-M12-20A-SA12 Measurement range 0...2 mm, output 0...20 mA, outer thread M12

ACCESSORIES

Cable with connector (female) M12, 4 poles, shielded

K4P2M-S-M12	2 m, straight connector
K4P5M-S-M12	5 m, straight connector
K4P10M-S-M12	10 m, straight connector
K4P2M-SW-M12	2 m, angular connector
K4P5M-SW-M12	5 m, angular connector
K4P10M-SW-M12	10 m, angular connector

Mounting set

ISMZ-M12	Mounting set for sensors with M12 thread
----------	--

Mating connector (female) M12, 5 poles, shielded

D4-G-M12-S	straight, for self assembly
D4-W-M12-S	angular, for self assembly

Digital displays

WAY-AX-S	2 channel, power supply 18...30 VDC
WAY-AX-S-AC	2 channel, power supply 115...230 VAC

For more information and options please refer to the [WAY-AX data sheet](#).

Subject to change without prior notice.

WayCon Positionsmesstechnik GmbH

email: info@waycon.de

internet: www.waycon.biz

WayCon

Positionsmesstechnik

Head Office

Mehlbeerenstr. 4

82024 Taufkirchen

Tel. +49 (0)89 67 97 13-0

Fax +49 (0)89 67 97 13-250

Office Köln

Auf der Pehle 1

50321 Brühl

Tel. +49 (0)2232 56 79 44

Fax +49 (0)2232 56 79 45